

Modulating Valve

8B0142D-A

SIZE 1/4"

2-WAY Brass, Modulating, standard port ball valve with electric actuator.

24VDC

≤ 7S Sec. Open/Close
5 wire control with feedback signal

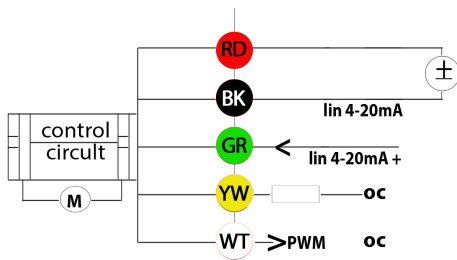


ACTUATOR

- NEMA 4, 4X Housing
- 12V/24V AC/DC and 100-240V AC Models Available
- High-Strength, Impact Resistant IP67 PPO Housing
- Comes Standard With 19" Cable

WIRING DIAGRAM

5 Wire control- Power Reset



Actuator internal chart Actuator external controner

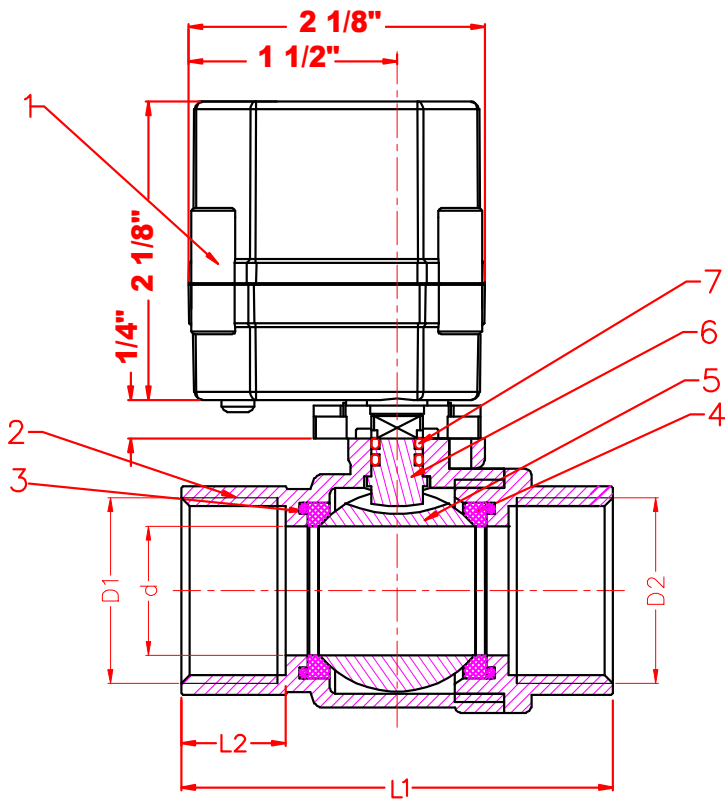
- RD connects DC9-24V to the positive pole
- BK connects DC9 ~ 24V to the -negative pole and 4-20mA/-0-5V/0-10V to the -negative pole
- GR connects the position input, 4-20mA/0-5V/0-10V to the positive pole
- YW connects the ERR output, fault switch is closed when ERR occurs, switch is open during normal operation
- WT connects to the feedback position, OC output PWM signal

VALVE FEATURES

- Brass
- Standard Port, Sizes 1/4" to 2"
- Energy efficient design reduces power consumption needs.

TECHNIAL INFORMATION

1. Uses: Fluid, Air, Water.
2. Sealing Material: FKM & PTFE.
3. Actuator Rotation: 90°.
4. Max torque force: 26.5522 in-lb.
5. Position indicator: yes.
6. Locked rotor current: 0.5A.
7. Locked rotor delay time: 2-4s.
8. Environment temperature: 5° - 140°F.
9. Process fluid temperature: 35° - 374°F.



BILL OF MATERIALS

N.POS	PART NAME	MATERIAL	N.PCS
1	Actuator	PPO	1
2	Body Cover	SS304	1
3	O-RING	FKM	2
4	Sealing	PTFE	1
5	Sealing	PTFE	2
6	Ball	SS304	1
7	Gasket	PTFE	1
8	Stem	SS304	1
9	O-RING	FKM	2

DIMENSIONS

Size	D1/D2	d	L1	L2	E1	H1	H2
1/4"	1/4"	25/64"	2-1/64"	15/32"	53/64"	2-3/4"	35/64"

